

Sage Commercial Serrery Door

Technical Information - Red Cedar



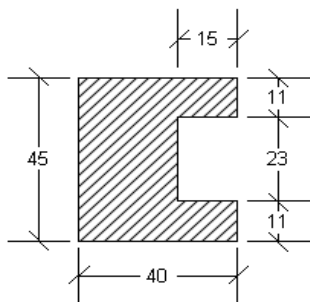
- Solid 20 x 45mm Western Red Cedar slats, fine sanded only
- Stainless steel straps run through the centre of the slats to hold the slats in place
- Supplied with socket bolts
- 2 routed handles on the inside of the bottom handrail
- Supplied pre tensioned in sanded MDF headcase
- 10 year warranty

Fixing Options

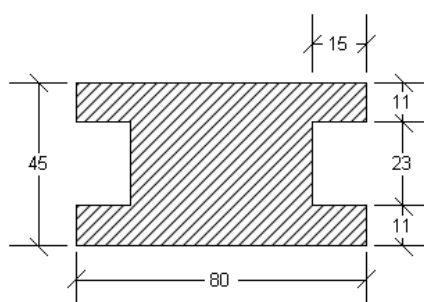


Guides and Mullion Dimensions

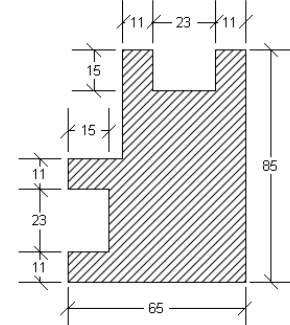
A-Fix and B-Fix Guides



Centre Mullion

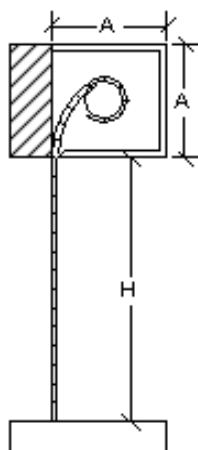


Corner Mullion



- Both the centre and the corner mullions can be made removable on request

Head Case Dimensions (A)



300mm x 300mm
for doors up to
1500mm in height

350mm x 350mm
for doors over
1500mm in height

Maximum Sizes

1600H x 3600W

or

2000H x 2700W

For wider openings there is the option of using more than one door with removable centre or corner mullions.

If you require a Sage Commercial beyond these measurements please call us to discuss your needs.

Sage Commercial Server Door

Technical Information - Anodized Aluminium

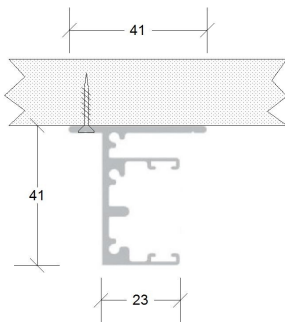
- Extruded 18 x 55mm silver anodized aluminum slats
- Interlocking joints with cushioning for smooth rolling
- Supplied with socket bolts
- Strip handles on the inside of the bottom handrail
- Supplied pre tensioned in sanded MDF headcase

Fixing Options

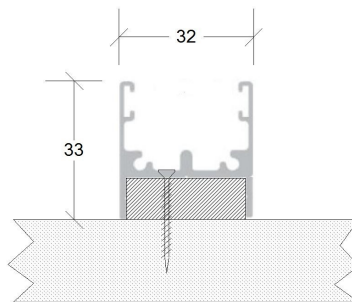


Guides and Slat Profiles

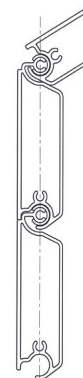
A-Fix Guides



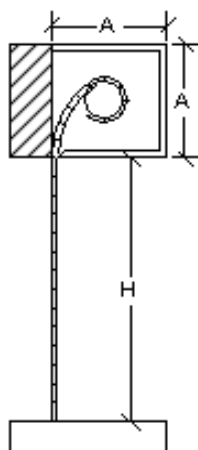
B-Fix Guides



Slat Profile



Head Case Dimensions (A)



300mm x 300mm
for doors up to
1500mm in height

350mm x 350mm
for doors over
1500mm in height

Maximum Sizes

1600H x 3600W

or

2000H x 2700W

For wider openings there is the option of using more than one door with removable centre or corner mullions.

If you require a Sage Commercial beyond these measurements please call us to discuss your needs.