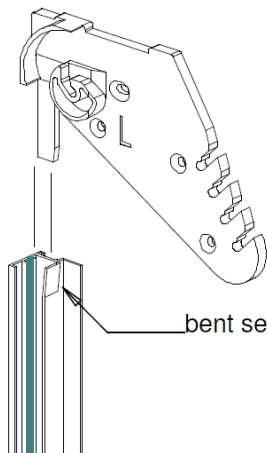
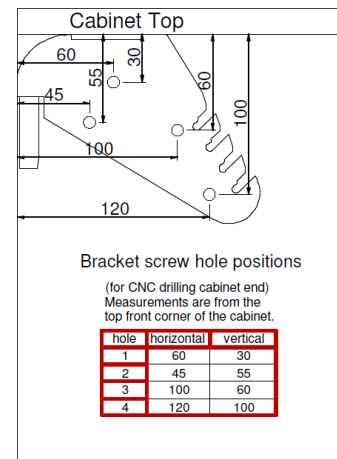
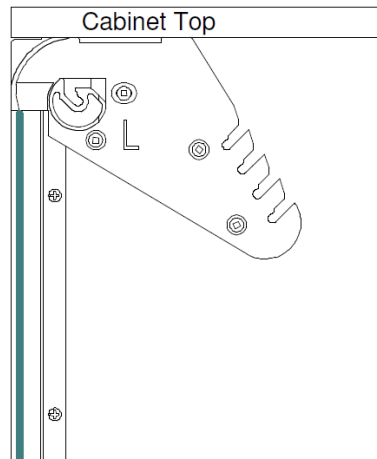


Single Sided Roller Door Installation Information

Step 1: Installing the track



bent section



Bracket screw hole positions

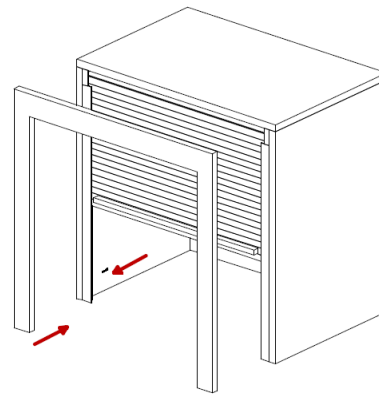
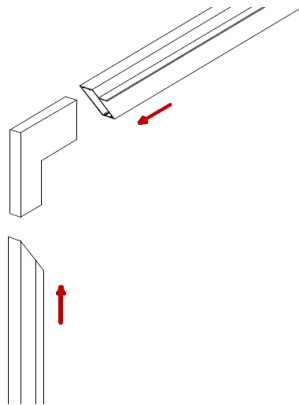
(for CNC drilling cabinet end)
Measurements are from the top front corner of the cabinet.

hole	horizontal	vertical
1	60	30
2	45	55
3	100	60
4	120	100

1. Slide the bent end of the aluminium track over the leg of the plastic bracket. Please NOTE that the leg on the bracket does not need to be cut.

2. Place the bracket and track flush with the front of the cabinet. Fix in place with the 8 x 19mm screws provided. Start with the adjustable slot first. Optimum smooth door operation is achieved by pre-drilling a 5mm hole, 2mm deep. Fix the aluminium tracks with the 6 x 12 pan head screws provided.

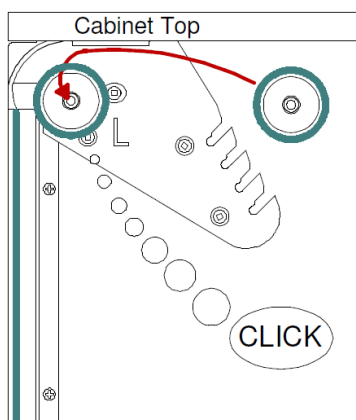
Step 2: Installing the surround



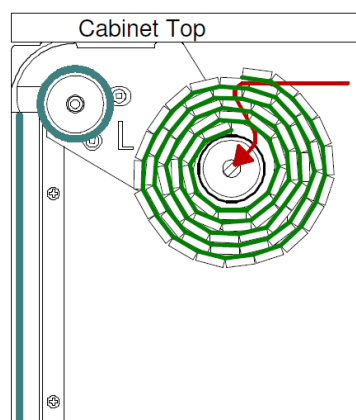
1. This step only applies if you have the optional aluminium surround. Slide the MDF corners into the mitred ends of the surround. Hold together with the 4 x 12mm screws provided. Take care while fixing the screws not to mark the face of the aluminium.

2. Set your surround in place. Fix with 6 x 12mm pan head screws. The aluminium surround needs to be pre-drilled with a 3mm hole, and the track needs to be pre-drilled with a 3.5mm hole.

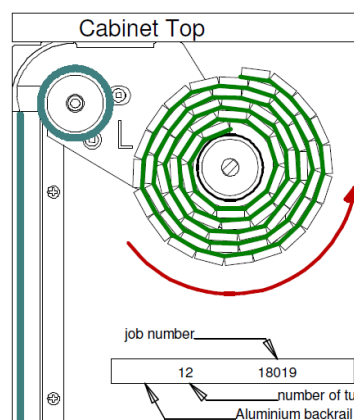
Step 3: Installing the idle roller and door



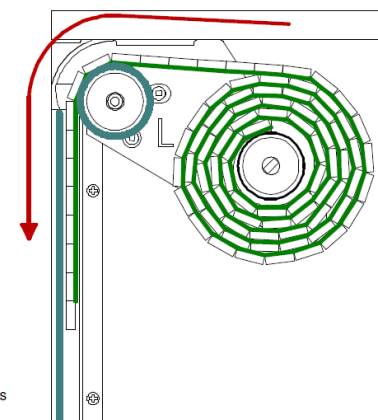
1. Slide the idle roller towards you along the bottom of the top, then push it down and back into the slot. Both ends should click in.



2. Slide the door towards you along the top, then slide it down the back of the brackets until the ends drop in to the slots. It may require rotating. The left end should click in. Check both ends are in the same hole.



3. To tension the spring, rotate the door in the direction marked, for the number of turns written on the backrail. The backrail in drawing is example only. This is easiest done with the rolled door held with masking tape.



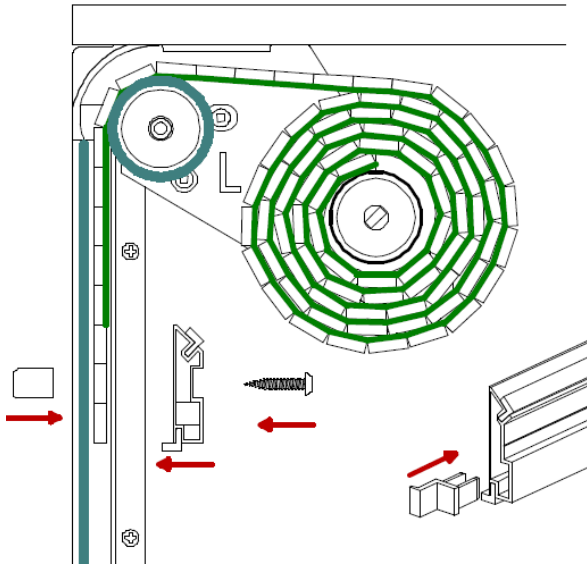
4. Roll the end of the door over the idle roller and feed it down the track. Lift the door up and down and test the tension. If required, adjust the number of turns.

Single Sided Roller Door Handle Installation Information

SAGE
DOORS

After installing your door as per the instructions over leaf, follow the instructions for your chosen handle.

Attaching the bar handle option

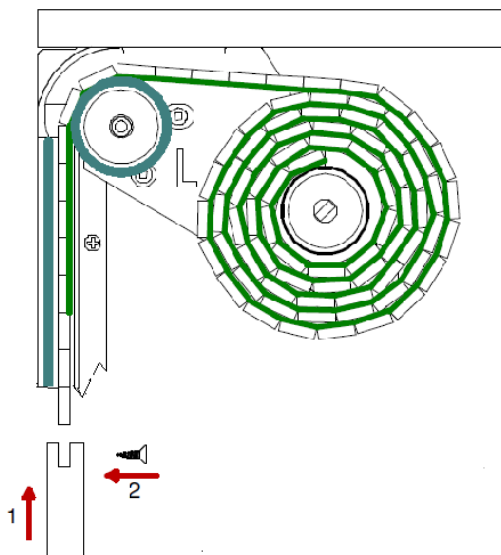


Decide which of the two buffer strips you want on the bottom of your door. Swap the two if required.

Check the backrail plugs are inserted as shown.

Fix the backrail and the handle on with the 8 x 25mm screws provided.

Attaching the blank handle option



Push the handle on to the door and use the 6 x 12mm screws provided to fix the handle in place. Your door has been pre-drilled for you.

Take care not to over tighten the screws and star fracture the front of the handle.

Sage Doors.....for quality rollers doors that keep on rolling